

134R616G190 42" Lawn Tractor 4 Wheel Steer FST-15 (1994)
Cowl

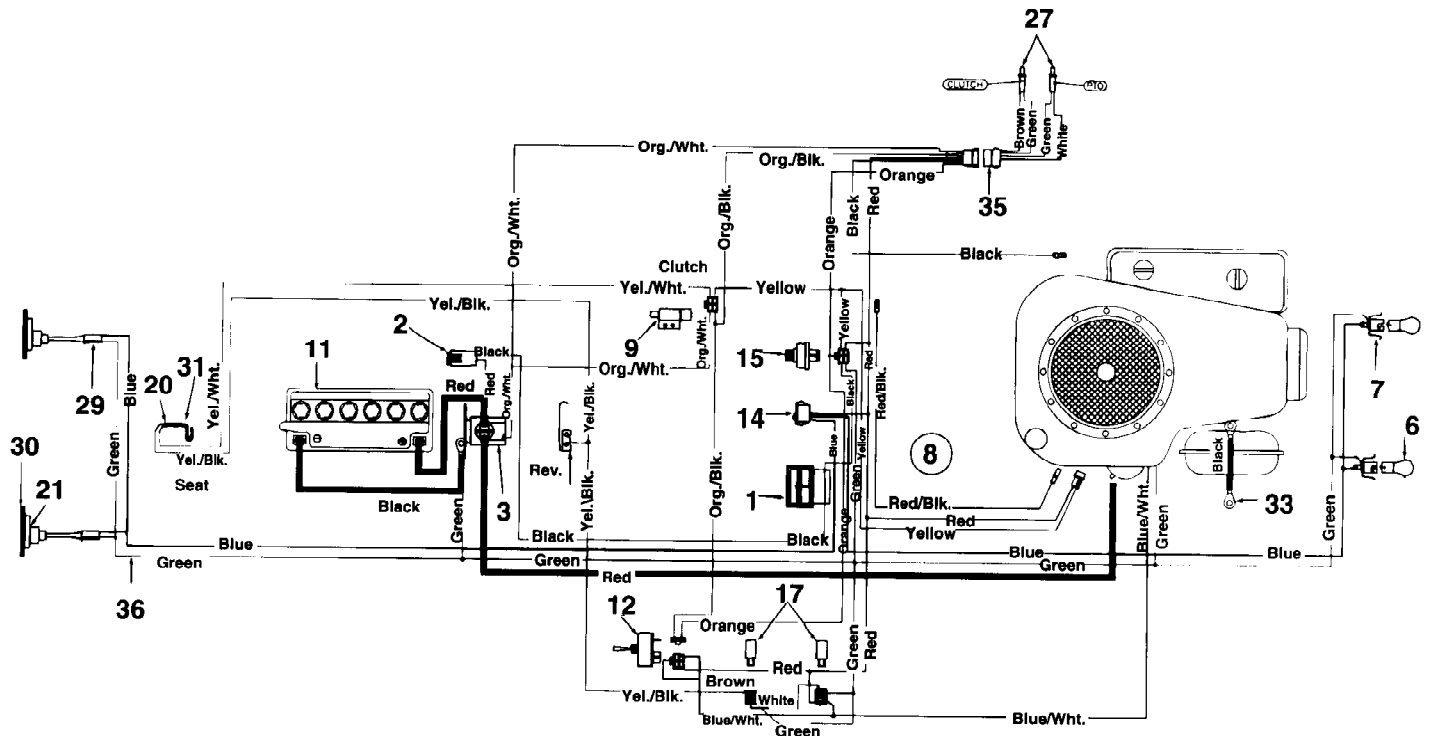
Page 2 of 27

Ref #	Part Number	Qty	S/P/F	Description
1	731-1429	1	S	Hood
2	710-0896	1	/P	Hex Wash. B-Tap Scr. 1/4 x .62" Lg.
3	726-0233	1	/P	Bolt Retainer 1/4" I.D.
4	17782	1		Retainer Clip
5	736-3078	1	/P	FI-Wash. .34" I.D. x 1"
6	710-0351	1	/P	Truss Mach. B-Tap Scr. #10 x .5" Lg.
7	710-0227	1	/P	Hex Wash. Hd. AB-Tap Scr. #8 x .5" Lg.
8	16903A	1	S	Hood Plate
11	746-3021	1		Choke Control
12	712-3014	1		Hex Nut 1/2-27 Thd.
13	725-0893	1	S	Toggle Switch
14	16902A	1		Hood Hinge Code: N notates a new part (not previously existing).
15	725-0963	1	S	Lamp
16	725-1649	1	S	Twist Lock - Lamp Socket
17	777-8516	1		Reflector - Headlight
18	731-1147	1	S	Forward/Reverse Index Brkt.
19	731-1069	1	S	7-Speed Selector Plate
20	710-0118	1	S/F	Hex Bolt 5/16-18 x .75" Lg.
21	731-1430	1	S	Grille
22	17300D	1		Dash Support Bracket
23	723-0416	1		Screen
24	712-0267	1	S/F	Hex Nut 5/16-18 Thd.
25	736-0176	1	S	FI-Wash. 1/4" I.D. x .93" O.D.
26	710-0603	1	/P	Hex Wash. Hd. B-Tap Scr. 5/16-18 x .5" Lg.
?27	710-0429	1	S	Hex B-Tap Scr. #10 x .38" Lg.
28	736-0267	1	S	FI-Wash. 3/8" I.D. x .875" O.D.
29	711-1002	1		Adj. Ferrule 3/8-8 Thd. Code: N notates a new part (not previously existing).
30	783-0041	1	S	Pivot Bar Brkt.
32	710-0726	1	/P	Hex Wash. Hd. AB-Tap Scr. 5/16 x .75" Lg.
?33	736-0242	1	/P	Bell-Wash. .345" I.D. x .88"
34	714-0101	1	S	Hairpin Clip
35	716-0125	1	S	"E"-Ring .375" Dia.
36	712-0287	1	S/F	Hex Nut 1/4-20 Thd.
37	736-0270	1	/P	Bell-Wash. .265" I.D. x .75"
38	747-0898	1		Adjustment Rod Code: N notates a new part (not previously existing).
39	712-0449	1		Hex Nut 3/8-8 Twin Thd. Code: N notates a new part (not previously existing).
40	710-3015	1	/P	Hex Bolt 1/4-20 x .75" Lg. Code: N notates a new part (not previously existing).
41	720-0236	1	S	Plastic Knob
42	732-0732	1		Ext. Spring 3.21" Lg.
43	17326B	1		Rear Fender
44	750-0755	1		Spacer .33" I.D. x .625" O.D.
45	710-0167	1	/P/F	Carriage Bolt 1/4-20 x .50" Lg.
46	736-0278	1		FI-Wash. .328" I.D. x .68" O.D.
47	710-0599	1	/P	Hex Wash. Hd. Scr. 1/4-20 x .5" Lg.
48	727-0460	1	S	Indicator Strip

134R616G190 42" Lawn Tractor 4 Wheel Steer FST-15 (1994)
Cowl

Page 3 of 27

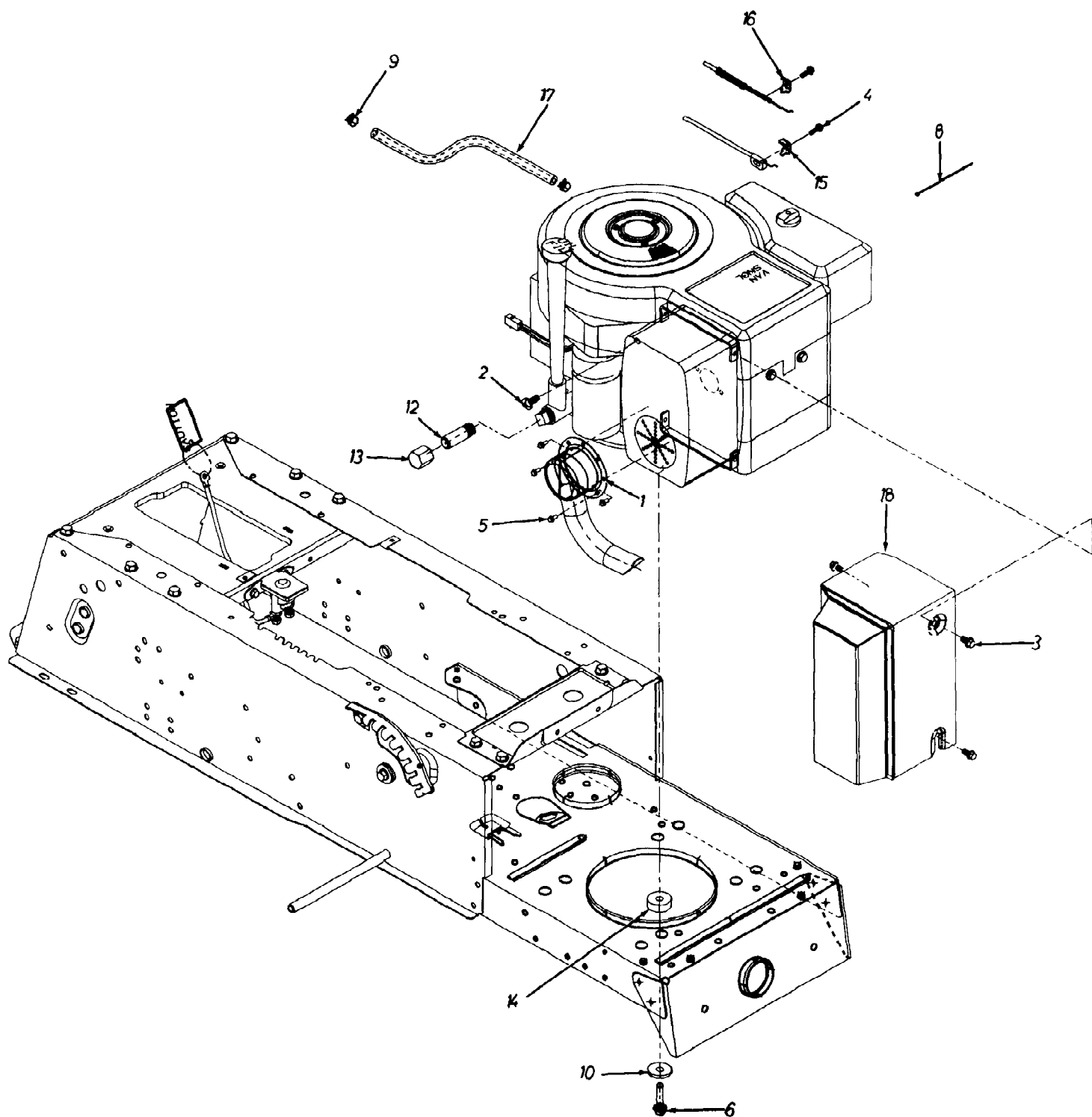
Ref #	Part Number	Qty	S/P/F	Description
49	783-0120	1	S	Indicator Bracket
50	736-0119	1	S/F	L-Wash. 5/16" I.D.
52	750-0754	1		Shld. Spacer .33" I.D.
53	736-0142	1	S	FI-Wash. .281" I.D. x .5" O.D.
54	712-0158	1	S	Hex Cent. L-Nut 5/16-18 Thd.
55	731-1432A	1	S	Side Cover - R.H. Code: N notates a new part (not previously existing).
	731-1431A	1		Side Cover - L.H. Code: N notates a new part (not previously existing).
56	710-1034	1		Double Ended Stud 1/4-20 Thd.
57	710-0924	1	/P	Truss Mach. Scr. 1/4-20 x .75" Lg.
58	710-0227	1	/P	Hex Wash Hd. AB-Tap Scr. #8 x .5" Lg.
59	831-0823A	1	/P	Throttle Control Box Ass'y.
60	746-0905	1		Throttle Control Wire 22" Lg.
61	710-0258	1	S/F	Hex Bolt 1/4-20 x .62" Lg.
62	736-0173	1	/P	FI-Wash..281" I.D. x .73" O.D.
63	725-1341B	1	/P	Ignition Key
64	725-1396	1	S	Ignition Switch
65	731-1510	1	S	Dash Panel Code: N notates a new part (not previously existing).
66	725-0634	1	S	Light Switch
67	725-0925	1	S	Ammeter
68	731-1038	1	S	Lens
69	725-1347	1	/P	Ignition Switch Cap
70	736-0329	1	S/F	L-Wash. 1/4" I.D.
71	725-3018	1		Tail light
72	726-0320	1	S	Insulator Nut Plate
73	725-1346	1	S	Ignition Switch Nut
74	710-0779A	1	/P	Truss Mach. AB-Tap Scr. #10 x .5" Lg.
75	710-0936	1		Truss Hd. AB-Tap Scr. #6 x .62" Lg.
76	725-1643	1		Reverse Safety Switch
77	710-0642	1	/P	Hex Wash. Hd. Tap Scr. 1/4 x .75" Lg.
80	712-0291	1	S	Hex L-Nut 1/4-20 Thd.
?94	712-0147	1	/P	Speed Nut #10-24 Thd.
103	17633A	1	S	Gasoline Tank Support
104	731-0911	1		Rubber Foot Pad - L.H.
	731-0912	1		Rubber Foot Pad - R.H.
105	710-0599	1	/P	Hex Tap Scr. 1/4-20 x .5" Lg.
111	712-0185	1		Speed Nut 1/4-20 Thd.
113	710-0176	1	/P	Hex Bolt 5/16-18 x 2.75"
	777-1822	1		Plastic Logo on Hood Side Labels
	777-0186	1		Plastic Logo - Grille
	777-8214A	1		White Label - Fender
	777-4777	1		Reflective Label - Seat Back
	777-1968	1		FST-15 Side Panel Labels



134R616G190 42" Lawn Tractor 4 Wheel Steer FST-15 (1994)
Electrical System

Page 5 of 27

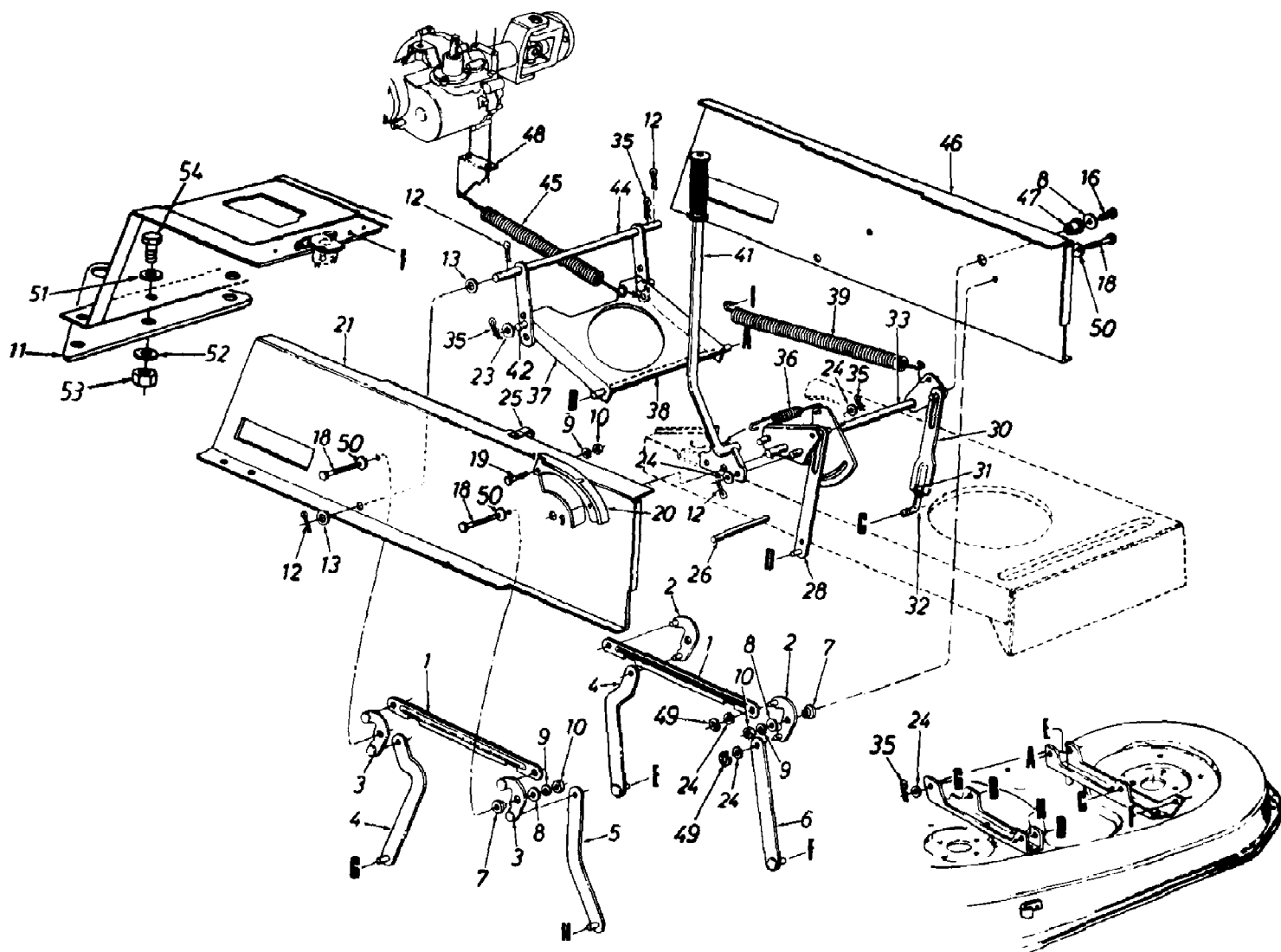
Ref #	Part Number	Qty	S/P/F	Description
1	725-0925	1	S	Ammeter
2	725-1381	1	S	Fuse 20 Amps
3	725-1426	1	S	Solenoid
6	725-0963	1	S	Bulb
7	725-1649	1	S	Socket
8	629-0206	1		Wire Harness Code: N notates a new part (not previously existing).
9	725-1657	1	S	Safety Switch (Clutch) Code: N notates a new part (not previously existing).
11	725-1635	1	S	Battery 12V
12	725-0893	1	S	Switch (PTO)
14	725-0634	1	S	Light Switch
15	725-1396	1	S	Ignition Switch
17	725-1648	1	S	Relay
?18	725-1643	1		Spring Lever
20	725-1303	1	S	Safety Switch (Seat)
21	725-3018	1		Tail light
27	725-1365	1	S	Bulb
29	725-1380	1		Tail light Harness
30	725-3020	1	S	Bulb
31	725-1439	1		Safety Switch (Seat)
33	725-0980	1		Wire 7.5" Lg.
35	629-0132	1		Monitor Harness Code: N notates a new part (not previously existing).
36	629-0134	1		Taillight Adapter Harness Code: N notates a new part (not previously existing).



134R616G190 42" Lawn Tractor 4 Wheel Steer FST-15 (1994)
Engine Assembly

Page 7 of 27

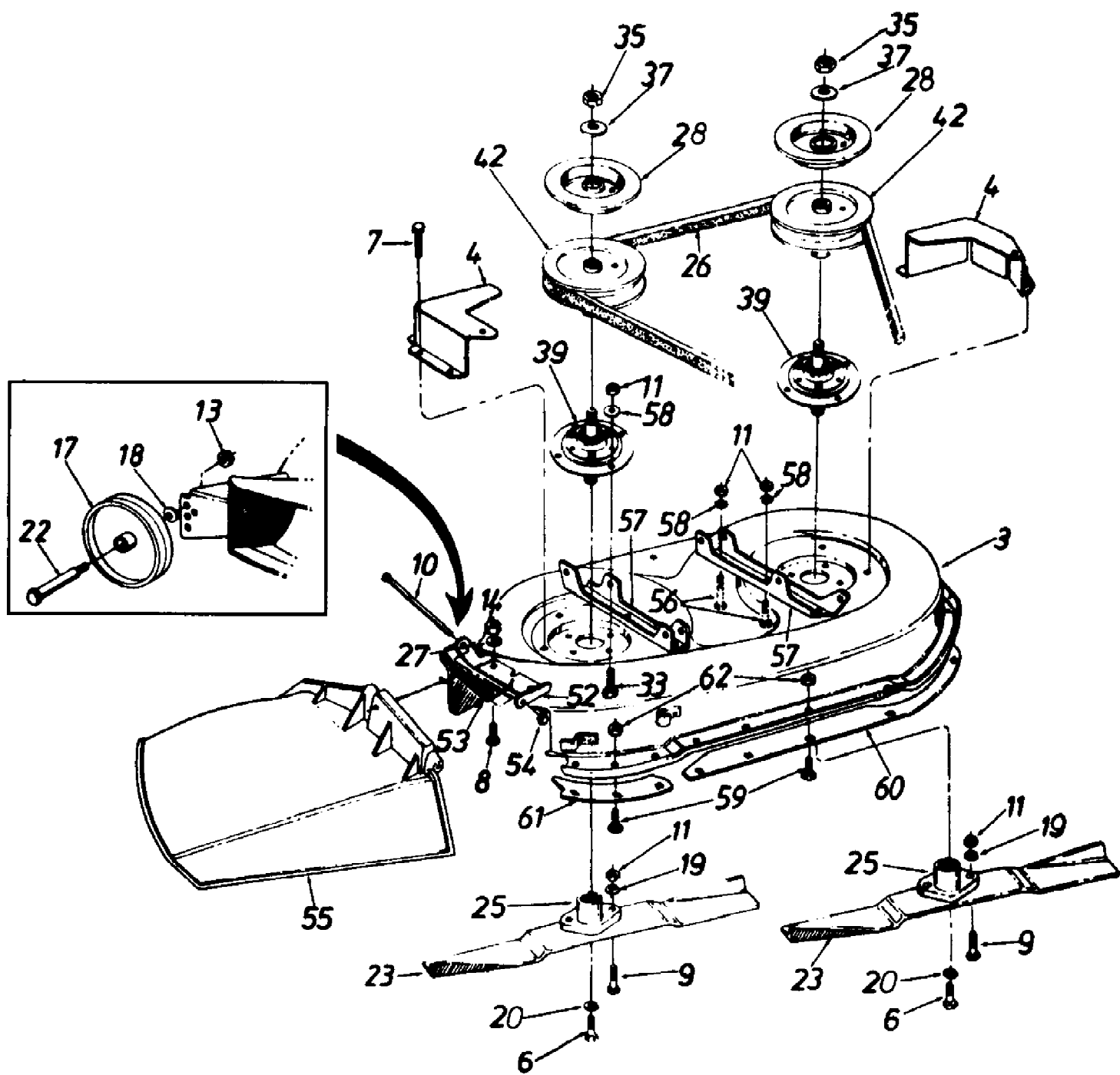
Ref #	Part Number	Qty	S/P/F	Description
1	651-0006	1		Exhaust Pipe Ass'y. Code: N notates a new part (not previously existing).
2	710-0323	1	/P	Pan Hd. Mach. Scr. 5/16-18 x .75" Lg.
3	710-0599	1	/P	Hex Wash. Hd. Scr. 1/4 x 20 x .5" Lg.
4	710-1237	1		Hex Wash. Hd. Scr. #10-32 x 5/8" Lg.
5	710-0148	1	/P	Hex Wash. Tap Scr. #8-32 x .38" Lg.
6	710-1007	1	/P	Hex L-Wash. TT-Tap Scr. 3/8-16 x 1.5" Lg.
8	726-0197	1		Cable Tie
9	726-0205	1	/P	Hose Clamp
10	736-0247	1	/P	FI-Wash. 3/8" I.D. x 1.25" O.D.
12	737-0199	1	S	Pipe Nipple 3/8-18 NPT.
13	737-0143	1	S	Oil Drain Cap
14	750-0965	1		Shld. Spacer .38" I.D. x 1.25"
15	751-0360A	1	S	Casing Clamp
16	751B221535	1	/P	Casing Clamp
17	751-0535-15	1	S	Fuel Line
18	17984A	1		Muffler Heat Shield Ass'y. Code: N notates a new part (not previously existing).



134R616G190 42" Lawn Tractor 4 Wheel Steer FST-15 (1994)
Lower Frame & Linkage

Page 9 of 27

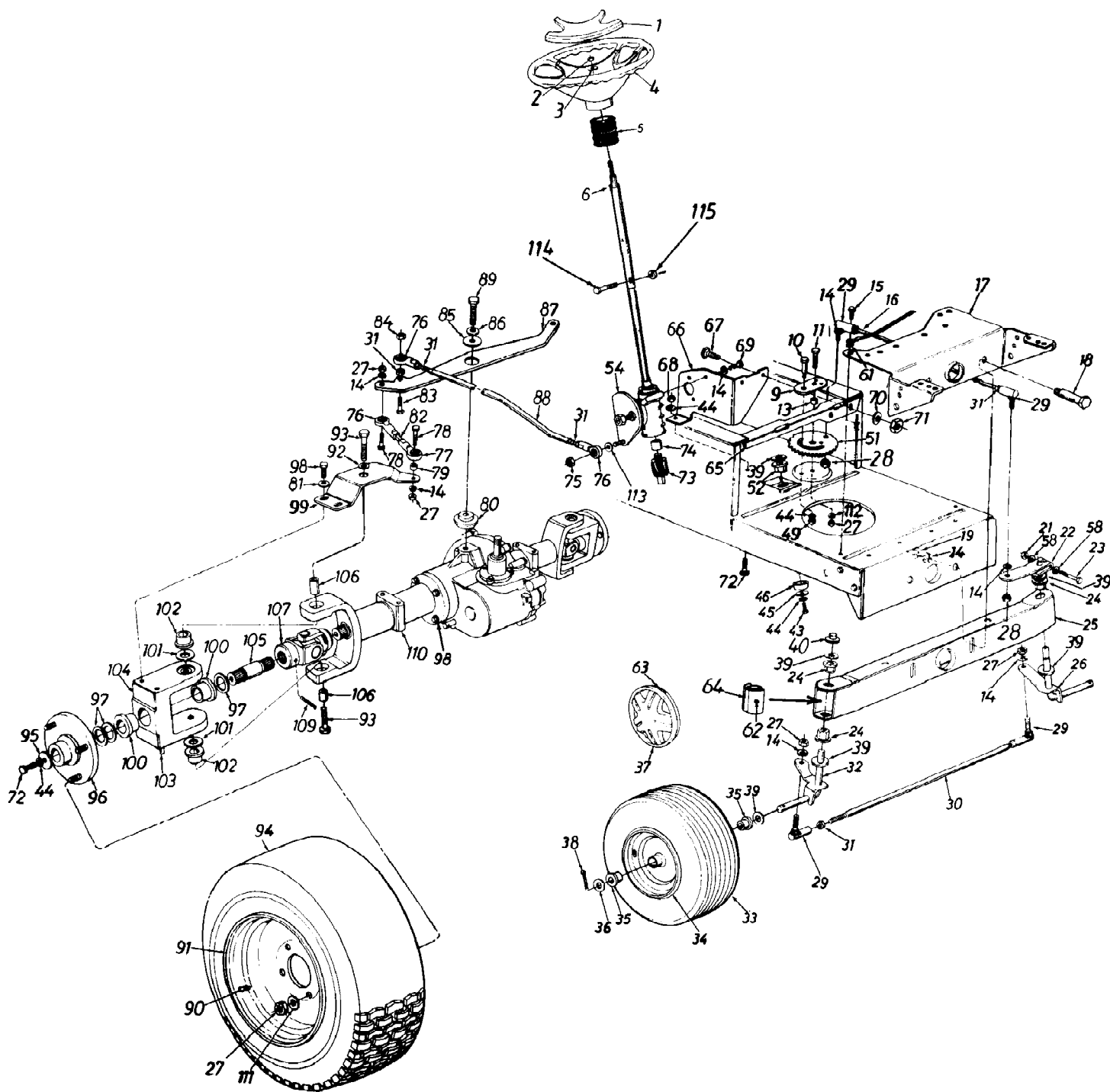
Ref #	Part Number	Qty	S/P/F	Description
1	783-0103	1	S	Connecting Rod
2	683-0029	1	S	Pivot Link Ass'y. - L.H.
3	683-0028	1		Pivot Link Ass'y. - R.H.
4	17710	1	S	Deck Hanger Link Ass'y.
5	14800A	1	S	Deck Hanger Link Ass'y.
6	14804A	1		Deck Hanger Link Ass'y.
7	748-0331	1	S	Shld. Spacer .318" I.D.
8	736-0264	1	S	FI-Wash. .344" I.D. x .62" O.D.
9	736-0119	1	S/F	L-Wash. 5/16" I.D.
10	712-0267	1	S/F	Hex Nut 5/16-18 Thd.
11	783-0014	1		Hitch Plate Extension
12	714-0470	1	S	Cotter Pin 1/8" Dia.
13	736-0256	1	S	FI-Wash. .635" I.D. x 1.0" O.D.
16	710-0604	1	S	Hex Wash. TT-Tap Scr. 5/16-18 x .75" Lg.
?17	748-0176	1		Flange Brg. .63" I.D.
18	710-1238	1	/P	Hex Wash. Hd. Scr. 5/16-18 x .875" Lg.
19	710-0118	1	S	Hex Bolt 5/16-18 x .75" Lg.
20	783-0185	1		Index Brkt. Code: N notates a new part (not previously existing).
21	17830A	1		Upper Frame - R.H. Code: N notates a new part (not previously existing).
23	736-0267	1	S	FI-Wash. .385" I.D. x .87" O.D.
24	736-0160	1	S	FI-Wash. .531" I.D. x .93" O.D.
25	726-0272	1	/P	Clamp
26	738-0526	1		Running Board Rod
28	14802A	1	S	Link Deck Lift Ass'y.
30	17712	1	S	Adj. Deck Lift Link
31	712-3066	1	S	Hex Nut 1/2-20 Thd. (Gr. 5)
32	711-0841	1	S	Lift Link Adjuster
33	17825B	1	/P	Lift Shaft Ass'y.
35	714-0145	1	S	Inter. Cotter Pin 3/8" Dia.
36	732-0637	1	S	Extension Spring
37	17636B	1	S	Stabilizer Bracket
38	738-0670	1	S	Shaft 1/2" Dia. x 10.28" Lg.
39	732-0638	1		Extension Spring
?40	720-0233	1	S	Grip (Lift Handle)
41	17675	1	S	Deck Lift Handle Ass'y.
42	710-0233	1		Weld Pin
44	17624	1	S	Stabilizer Shaft Ass'y.
45	732-0556	1	S	Extension Spring 7.58" Lg.
46	17831A	1		Upper Frame - L.H. Code: N notates a new part (not previously existing).
47	741-0313	1	S	Flange Brg. .632" I.D.
48	17128A	1	S	Spring Retainer Brkt.
49	716-0104	1	S	"E"-Ring
50	736-0425	1	S	Bell-Wash. .325" I.D.
51	736-0439	1		Bell-Wash. .46" I.D.
52	736-3015	1	S	FI-Wash. .469" I.D.
53	712-3019	1	S	Hex Nut 7/16-14 Thd. (Gr. 5)
54	710-0505	1	/P	Hex Bolt 7/16-14 x 1" Lg.



134R616G190 42" Lawn Tractor 4 Wheel Steer FST-15 (1994)
Mowing Deck Assembly

Page 11 of 27

Ref #	Part Number	Qty	S/P/F	Description
3	17600A	1	S	42" Deck Ass'y.
	813-06119	1	S	42" Deck Ass'y. Comp. For Service Only
4	17664	1	S	Belt Guard Deck
6	710-0152	1	S	Hex Bolt 3/8-24 x 1.0" Lg.
7	710-0599	1	/P	Hex Wash. Hd. TT-Tap Scr. 1/4-20 x .5" Lg.
8	710-0258	1	S	Hex Bolt 1/4-20 x .62"
9	710-0888	1	/P	Hex Bolt Special 5/16-24 x 1.0"
10	711-0792	1	S	Hinge Pin
11	712-0123	1	/P/F	Hex Nut 5/16-24 Thd.
13	712-0181	1	S	Hex Top L-Nut 3/8-16 Thd.
14	712-0287	1	S/F	Hex Nut 1/4-20 Thd.
17	734-0973	1	/P	Deck Wheel - 5"
18	736-0105	1	/P	Bell-Wash. .40" I.D. x .88" O.D.
19	736-0119	1	S/F	L-Wash. 5/16" I.D.
20	736-0217	1	S	L-Wash. 3/8" I.D. - H.D.
22	738-0373	1	S	Shld. Bolt .498" Dia. x 1.53"
23	742-0499A	1	S	High-Lift Blade
25	748-0300	1		Blade Adapter
26	754-0371A	1	S	V-Belt
27	736-0270	1	/P	Bell-Wash. 1/4" I.D.
28	09322	1		Brake Disc
33	710-0157	1	/P	Hex Bolt 5/16-24 x .75" Lg.
35	712-0318	1	/P	Hex Jam Nut 5/8-18 Thd.
37	736-0158	1	S/F	L-Wash. 5/8" I.D.
39	717-0906	1	S	Blade Spindle Ass'y. Comp.
42	756-0556	1		5.5" Dia. Pulley
52	703-1693	1	S	Hinge Mtg. Brkt.
53	732-0602	1	S	Torsion Spring
54	726-0106	1	S	Push Nut
55	731-1032	1	S	Chute Ass'y. Comp. (Incl. Ref. 10, 52, 53, 54, 55)
56	710-0157	1	/P	Hex Bolt 5/16-24 x .75" Lg.
57	17493A	1	S	Deck Hanger Channel
58	736-0242	1	/P	Bell-Wash. .345" I.D. x .88"
59	710-0167	1	/P	Carr. Bolt 1/4-20 x .5" Lg.
60	17861A	1	S	Deck Skirt Ext. - Long
61	17961	1	S	Deck Skirt Ext. - Short
62	712-0271	1	/P	Hex Sems Nut 1/4-20 Thd.



134R616G190 42" Lawn Tractor 4 Wheel Steer FST-15 (1994)
Steering Assembly

Page 13 of 27

Ref #	Part Number	Qty	S/P/F	Description
1	731-1509	1	S	Steering Wheel Cap Code: N notates a new part (not previously existing).
2	712-0237	1	S	Hex L-Nut 5/16-24 Thd.
3	736-0242	1	/P	Belleville Wash. .345" I.D.
4	631-0019	1		Steering Wheel Code: N notates a new part (not previously existing).
5	731-0954	1	S	Steering Bellow
6	738-0886	1		Upper Steering Shaft
9	17198A	1	S	Retainer Plate
10	738-0141	1	S	Shoulder Bolt .437" Dia. x .35" Lg. 5/16-18 Thd.
11	710-0152	1	S	Hex Bolt 3/8-24 x 1.0" Lg. Grade 5
13	750-0535	1	S	Spacer .380" I.D. x .625" O.D. x .227"
14	736-0169	1	S/F	L-Wash. 3/8" I.D.
15	710-0726	1	/P	Hex Wash. Hd. Self-Tap Scr.
16	711-1001	1	S	Steering Drag Link
17	783-0041	1	S	Pivot Bar Brkt.
18	738-0527	1	S	Shoulder Bolt .498" Dia. x 2.04" Lg. 3/8-16 Thd.
19	712-0798	1	/P/F	Hex Nut 3/8-16 Thd.
21	712-0237	1	S	Hex Cent. L-Nut 5/16-24 Thd.
22	683-0055	1	S	Steering Arm Front Axle
23	710-0772	1	/P	Hex Bolt 5/16-24 x 2.00" Lg. Grade 5
24	741-0487A	1	S	Hex Flg. Brg. .634" I.D.
25	683-0002	1	S	Pivot Bar Ass'y.
26	17585	1	/P	Front Axle Ass'y. - L.H.
27	712-0241	1	/P/F	Hex Nut 3/8-24 Thd.
28	712-0446	1	S	Hex Jam Nut 3/8-24 Thd.
29	723-3018	1	S	Ball Joint 3/8-24 Thd.
30	747-0753	1		Tie Rod
31	712-0711	1	/P/F	Hex Jam Nut 3/8-24 Thd.
32	17584	1	/P	Front Axle Ass'y. - R.H.
33	634-0059	1		Wheel Ass'y. Comp.
	734-0864	1	/P	Tire Only
34	634-0051	1	S	Front Wheel Rim Only
	734-0255	1	S	Air Valve
	737-0280	1	S	Grease Fitting
35	741-0569	1	S	Ball Bearing
36	736-0285	1	/P	FI-Wash. .635" I.D. x 1.59" O.D.
37	734-1783	1		Front Hub Cap
	734-1784	1	S	Rear Hub Cap
38	714-0470	1	S/F	Cotter Pin 1/8" Dia. x 1.25" Lg.
39	736-0187	1	/P	FI-Wash. .640" I.D. x .24" O.D.
40	726-0214	1	/P	Push Cap
43	710-0538	1	/P/F	Hex L-Bolt 5/16-18 x .62"
44	736-0119	1	S/F	L-Wash. 5/16" I.D.
45	736-0343	1	/P	FI-Wash. .33" I.D. x 1.25" O.D.
46	750-0532	1	S	Spacer (Plastic)
49	712-0158	1	S/F	Hex L-Nut 5/16-18 Thd.
51	717-1701	1		Steering Gear Segment
52	741-0225	1		Steering Gear Segment 634 I.D.

134R616G190 42" Lawn Tractor 4 Wheel Steer FST-15 (1994)
Steering Assembly

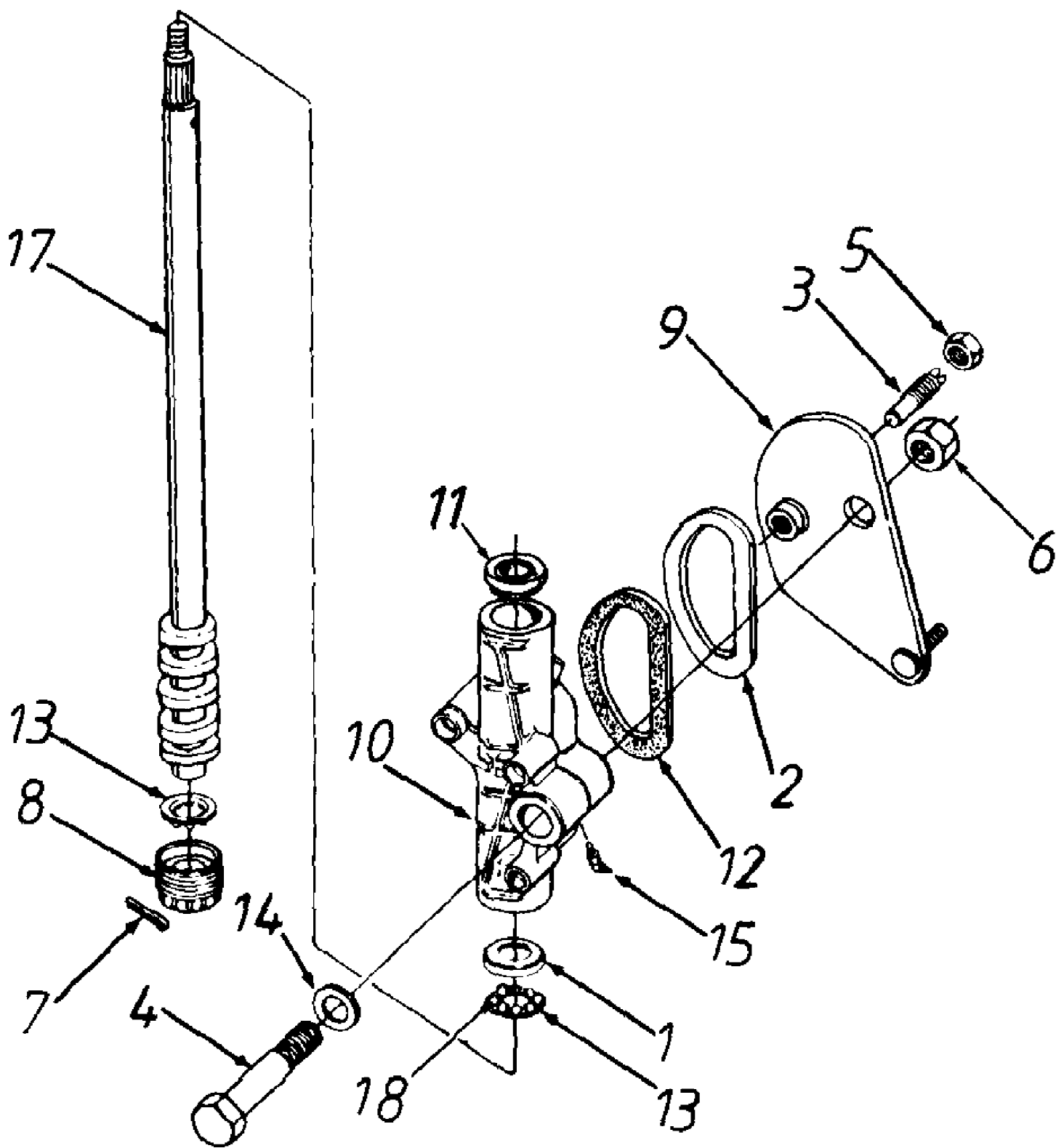
Page 14 of 27

Ref #	Part Number	Qty	S/P/F	Description
54	618-0114	1		Steering Box Ass'y. Comp. Code: N notates a new part (not previously existing).
58	736-0271	1	S	Wave Wash. .32" I.D. x .62"
61	736-0607	1	/P	Ext. L-Wash. 5/16" I.D.
62	737-0280	1	S	Grease Fitting
63	727-0425A	1	S	Spring Clip
64	731-1291	1	S	Pivot Bar End Cap
65	17778A	1		Horizontal Cross Bracket
66	17777	1		Vertical Mounting Bracket
67	710-0412	1	/P	Hex Bolt 1/4-28 x .75" Lg.
68	712-0123	1	/P	Hex Nut 5/16-24 Thd.
69	710-0253	1	S/F	Hex Bolt 3/8-16 x 1.0" Lg.
70	736-0270	1	/P	Bell-Wash. .265" I.D. x .75"
71	712-0138	1	S/F	Hex Nut 1/4-28 Thd.
72	710-0157	1	/P	Hex Bolt 5/16-24 x .75" Lg.
73	717-1700	1		Pinion Shaft
74	717-1705	1		Steering Shaft Splined Coupler
75	712-0262	1	/P	Hex L-Nut 3/8-24 Thd.
76	723-0420	1	S	Rod End 3/8-24 Thd. - R.H.
77	723-0421	1	S	Rod End 3/8-24 Thd. - L.H.
78	710-0459	1	S	Hex Bolt 3/8-24 x 1.5" Lg. Grade 5
79	750-0535	1	S	Spacer .38" I.D. x .625"
80	750-0809	1		Shld. Spacer .51" I.D.
81	736-0105	1	/P	Bell-Wash. .38" I.D. x .88"
82	747-0761	1		Tie Rod
83	710-0191	1	/P/F	Hex Bolt 3/8-24 x 1.25" Lg.
84	712-0296	1	S	Hex Patch L-Nut 3/8-24 Thd.
85	736-3027	1		FI-Wash. .531" I.D. x 1.75"
86	736-0253	1	S	Bell-Wash. .505" I.D. x 1.0"
87	17764	1	S	Steering Boom
88	738-0838	1		Steering Link
89	710-3181	1	/P	Hex Bolt 1/2-13 x 1.5" Lg. Grade 5
90	734-0255	1	S	Air Valve
91	734-1607	1		Rim Only
92		1		UNKNOWN
93	710-1142	1		Hex Bolt 1/2-20 x 1.75" Lg. Grade 5
94	734-1668	1		Rear Wheel Ass'y. Comp.
	734-1596	1		Tire Only
95	736-0343	1	/P	FI-Wash. .33" I.D. x 1.25"
96	717-1298	1		Wheel Flange Ass'y.
97	736-0420	1	S	FI-Wash. 1.0" x 1.56"
98	710-0191	1	/P	Hex Bolt 3/8-24 x 1.25" Lg.
99	17646	1	S	Steering Brkt. - R.H.
	17647	1	S	Steering Brkt. - L.H. Not shown
100	741-0558	1	S	Flange Brg. 1.0" I.D.
101	736-0445	1	S	FI-Wash. .76" I.D. x 1.5"
102	741-0547	1		Flange Brg. 3/4" I.D.
103	737-3001	1	/P	Grease Fitting
104	717-1291	1		Wheel Brg. Housing
105		1		UNKNOWN
106	717-1271	1		Pivot Sleeve
107	717-1270	1		U-Joint

134R616G190 42" Lawn Tractor 4 Wheel Steer FST-15 (1994)
Steering Assembly

Page 15 of 27

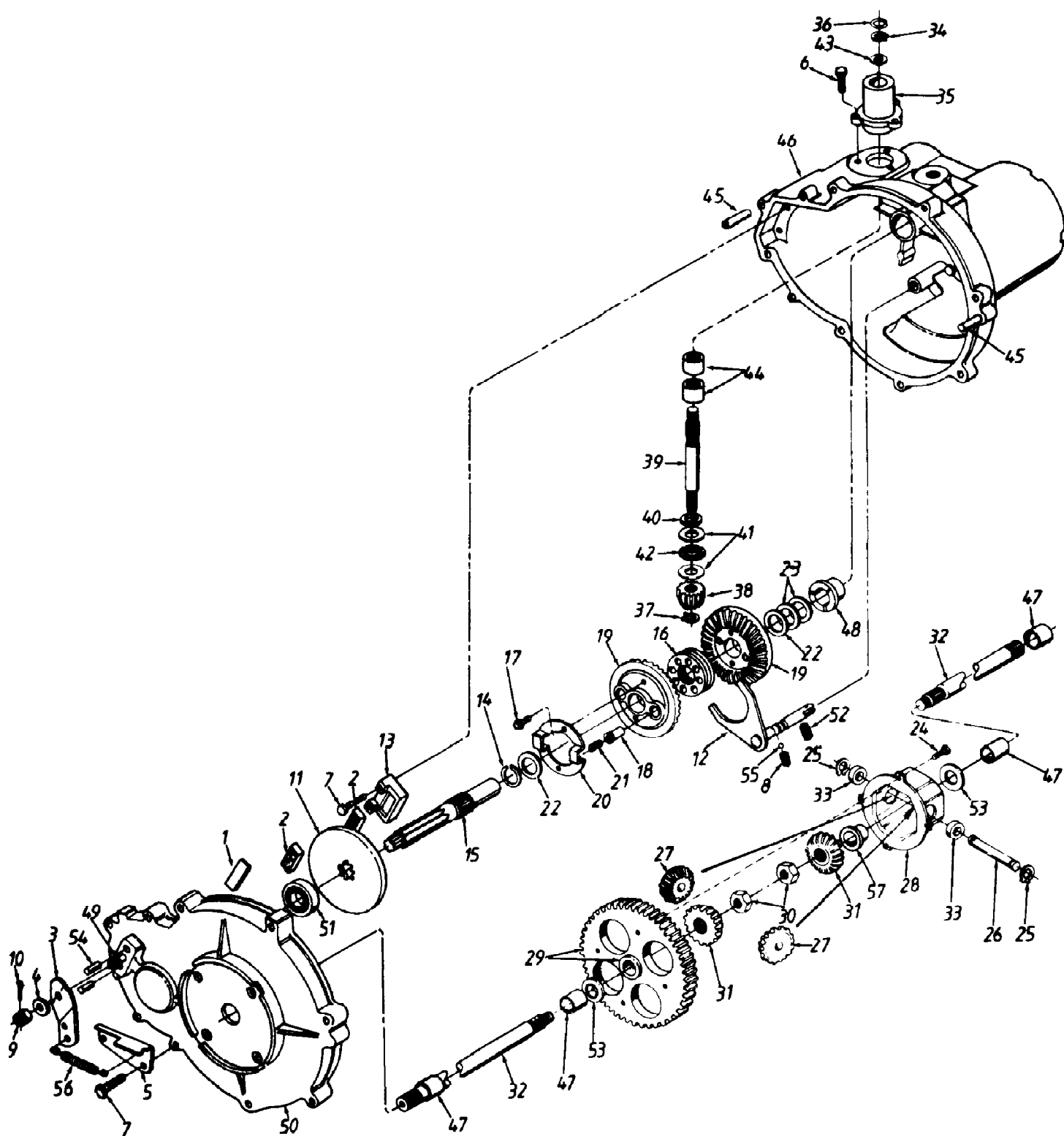
Ref #	Part Number	Qty	S/P/F	Description
109	715-0208	1	S	Grooved Roll Pin 1.0" Lg.
110	717-1285	1		Axle Horn Ass'y.
111	736-0105	1	/P	Bell-Wash. .38" I.D. x .88"
112	736-0356	1	S	Bell-Wash. .39" I.D. x 1.38"
113	736-0140	1	S	FI-Wash. .385" I.D. x .62"
114	710-0958	1	/P	Hex Bolt 1/4-20 x 1.31" Lg.
115	712-0324	1	/P	Hex Ins. L-Nut 1/4-20 Thd.



134R616G190 42" Lawn Tractor 4 Wheel Steer FST-15 (1994)
Steering Assembly Complete

Page 17 of 27

Ref #	Part Number	Qty	S/P/F	Description
	618-0114	1		Steering Ass'y. Comp. Incl. Ref. Nos. 1 thru 18
1	703-1029	1	S	Bearing Cup
2	703-1031	1		Seal Retainer
3	711-3149A	1	S	Cam Follower
4	711-3208	1		Pivot Shaft
5	712-3062	1		Hex Jam Nut 9/16-18 Thd.
6	712-3063	1		Hex Crown L-Nut 5/8-18 Thd.
7	714-0474	1	S	Cotter Pin 1/8" Dia.
8	717-1048	1		Adjustment Plug Ass'y.
9	717-1219	1		Steering Arm Ass'y.
10	618-0047	1	/P	Steering Hsg. Bushing Ass'y.
11	721-0260	1		Oil Seal
12	723-3039	1	S	Seal
13	731-3040	1		Ball Retainer
14	736-3029	1	/P	Fl-Wash. .781" I.D. x 1.25" O.D.
15	737-3001	1	/P	Grease Fitting
17	611-0018	1		Steering Shaft Ass'y.
18	741-3022	1		Ball Bearing
	737-3007	4 oz		Grease #251 E.P.



134R616G190 42" Lawn Tractor 4 Wheel Steer FST-15 (1994)
Transaxle Complete

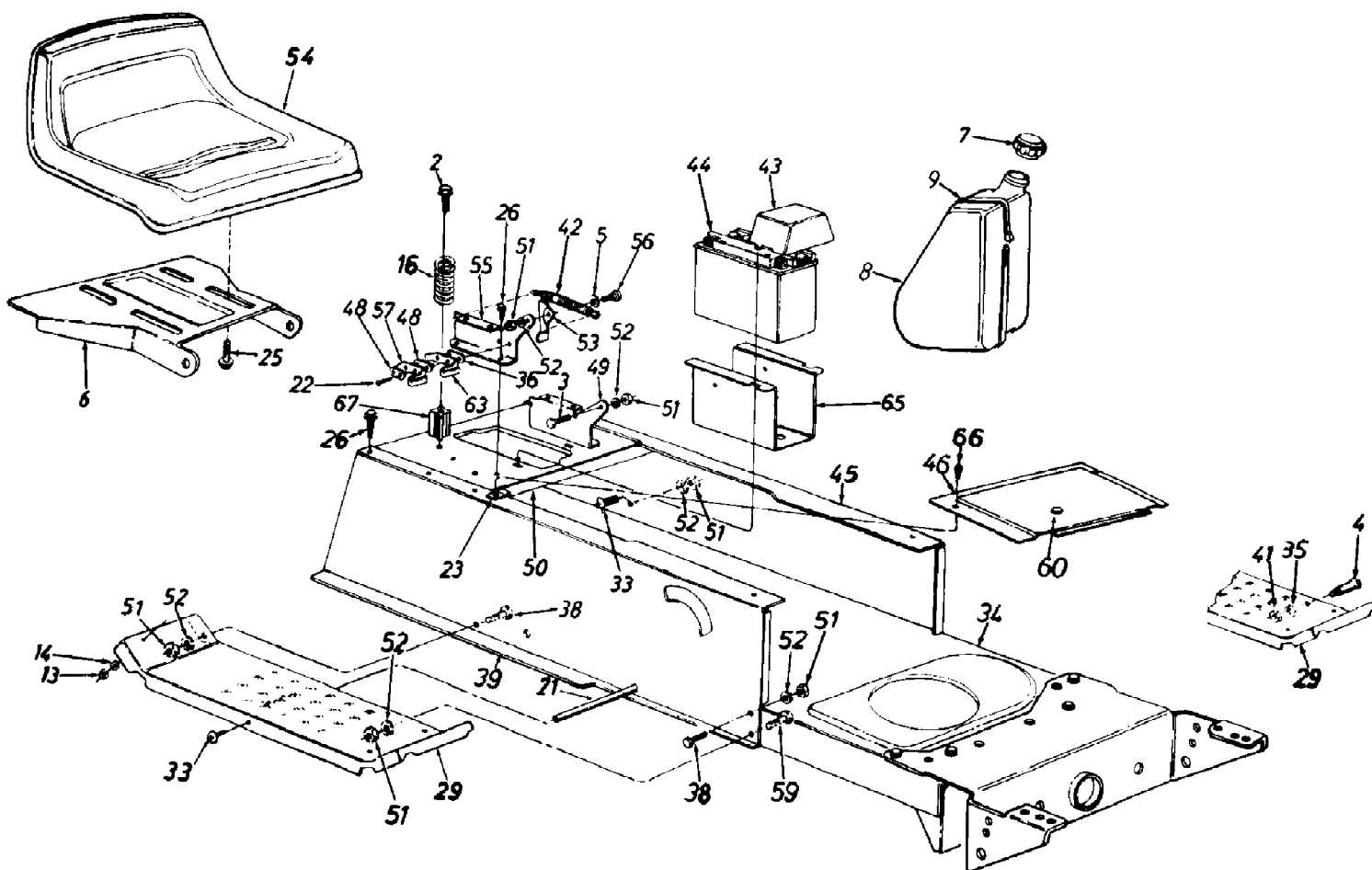
Page 19 of 27

Ref #	Part Number	Qty	S/P/F	Description
	618-0034	1		Transaxle Complete
1	717-0682	1	S	Puck Plate
2	761-0200	1	S	Brake Puck
3	717-0772A	1	S	Actuating Arm
4	736-0371	1	/P	FI-Wash. 11/32" I.D. x 7/8" O.D.
5	17841	1		Brake Stop Brkt.
6	710-0433	1	/P	Hex Bolt 1/4-20 x .62" Lg. (Special)
7	710-0809	1		Hex Tap Scr. 1/4-20 x 1.25" Lg.
8	732-0863	1	S	Spring Detent
9	712-0335	1	S	Castle Nut 5/16-24 Thd.
10	714-0111	1	S	Cotter Pin 3/32" Dia. x 1" Lg.
11	718-0184	1		Brake Disc
12	717-1102	1		Shifter Ass'y.
13	717-1217	1		Brake Puck Holder
14	716-0175	1		Retaining Ring
15	717-1093	1		Shaft Drive
16	717-1268	1		Shift Collar
17	710-0653	1	/P	Hex Wash. Hd. Tap Scr. 1/4-20 x .38" Lg.
18	717-1184	1	S	Drive Pin
19	717-1275	1	S	Bevel Gear Ass'y. Incl. Ref. Nos. 17, 18, 20 and 21
20	717-1269	1		Spring Retaining Plate
21	732-0590	1	S	Drive Spring
22	736-0444	1		FI-Wash. .915" I.D. x 1.5" O.D.
23	736-0454	1	S	FI-Wash. .915" I.D. x 1.37" O.D.
24	710-0862A	1	/P	Pan Hd. Scr. 1/4-20 x .5" Lg.
25	716-0184	1	S	Snap Ring
26	711-0918	1	/P	Cross Shaft
27	717-1020	1	/P	Miter Gear 15T
28	717-1252	1	S	Differential Can Assembly
29	717-1254	1	S	Differential Gear Ass'y. w/Bearing
30	712-0200A	1	/P	Hex Ins. L-Nut 1/2-20 Thd.
31	717-1019	1	S	Miter Gear
32	717-1197	1	S	Axle
33	750-0787	1	S	Differential Thrust Spacer
34	716-0171	1	S	Retainer Ring
35	717-1228	1		Input Bearing Housing
36	732-0614	1		Wire Ring
37	716-0108	1	S	Retaining Ring
38	717-0633	1	S	Pinion Input 14T
39	711-0861	1		Input Shaft
40	721-0178	1	S	Seal 5/8" I.D.
41	736-0419	1	S	Thrust Wash. .621" I.D. x 1.12"
42	741-0469	1		Thrust Bearing
43	736-0349	1	S	FI-Wash. 5/8" I.D. x 1.0" O.D.
44	741-0335	1	S	Needle Brg. 5/8" x 1/2" Lg.
45	715-0209	1		Dowel Pin
46	717-1235	1	S	R.H. Housing
47	741-0340	1	S	Sleeve Bearing 3/4" I.D.
48	741-0548	1		Flange Bearing .906" I.D.
49	717-0796	1	/P	Sq. Head Bolt 5/16-24 Thd.
50	717-1234	1		L.H. Housing

134R616G190 42" Lawn Tractor 4 Wheel Steer FST-15 (1994)
Transaxle Complete

Page 20 of 27

Ref #	Part Number	Qty	S/P/F	Description
51	741-0124	1	S	Ball Bearing .669" I.D.
52	710-3006	1	/P	Set Screw 5/16-18 x 3/8" Lg.
53	736-0445	1	S	Fl-Wash. .76" I.D. x 1.5" O.D.
54	741-0343	1	S	Brake Actuating Pin
55	741-0862	1	/P	Ball Detent
56	732-0545	1	S	Ext. Spring 1.14" Lg.
57	741-0552	1		Differential Flange Brg.



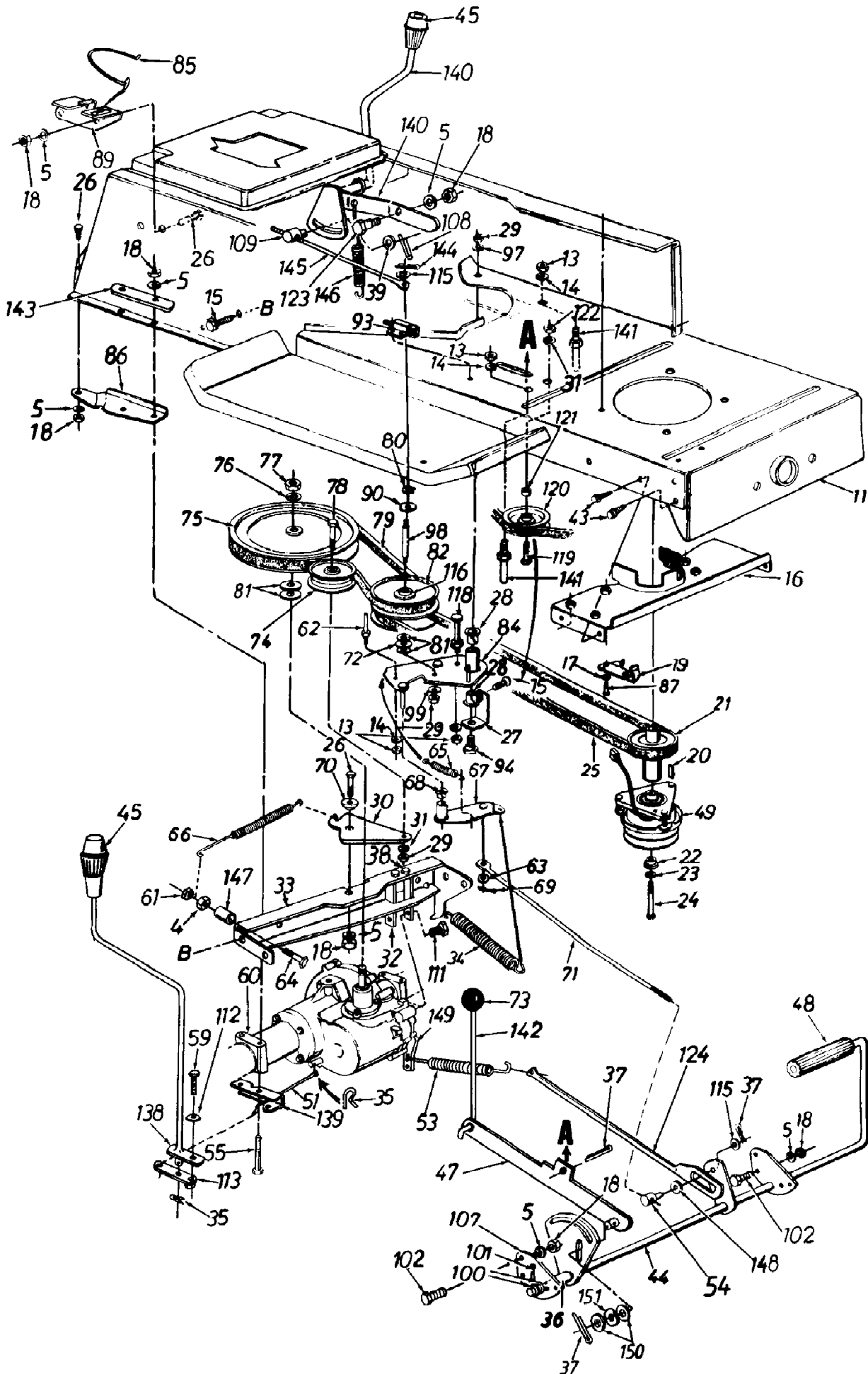
134R616G190 42" Lawn Tractor 4 Wheel Steer FST-15 (1994)
Upper Assembly

Page 22 of 27

Ref #	Part Number	Qty	S/P/F	Description
2	710-1208	1	/P	Hex Wash. Hd. Tap Scr. 5/16-18 x 3.25" Lg.
3	738-0155	1	S	Shld. Bolt .437" Dia. x .162"
4	738-0145	1	S	Shld. Bolt .50" Dia. x .84"
5	736-0141	1	S	Spr-Wash. .445" I.D. x .75
6	783-0039	1	S	Seat Pivot Bracket Code: N notates a new part (not previously existing).
7	751-0603	1	S	Fuel Cap
8	751-0574	1		Fuel Tank Code: N notates a new part (not previously existing).
9	726-0209	1	/P	Tie Strap
?10	751-0593	1		Fuel Line
?11	726-0324	1	S	Hose Clamp
13	712-0287	1	S/F	Hex Nut 1/4-20 Thd.
14	736-0329	1	S	L-Wash. 1/4" I.D.
16	732-0735	1	/P	Compression Spring
21	738-0526	1		Running Board Rod
22	710-0227	1	/P	Hex Wash. Hd. AB-Tap Scr. #8 x .50" Lg.
23	726-0139	1	/P	Speed Nut #10Z
25	710-0623	1	/P	Hex Tap Scr. 3/8-16 x .75"
26	710-0726	1	/P	Hex Wash. Hd. AB-Tap Scr. 5/16 x .75" Lg.
29	17770A	1	S	Running Board (R.H. & L.H.)
33	710-1221	1	F	Pan Hd. Cutting Scr. 5/16-18 x .75" Lg.
34	683-0065	1	S	Lower Frame Code: N notates a new part (not previously existing).
35	736-0169	1	S/F	L-Wash. 3/8" I.D.
36	726-0278	1		Insulator Boss Plate
38	710-0118	1	S/F	Hex Bolt 5/16-18 x .75" Lg.
39	17830A	1		Upper Frame - R.H. Code: N notates a new part (not previously existing).
41	712-0798	1	/P/F	Hex Nut 3/8-16 Thd.
42	732-0581B	1	S	Extension Spring 5.31" Lg.
43	731-1200	1		Battery Cover
44	725-1635	1	S	12-V Battery
45	17831A	1		Upper Frame - L.H. Code: N notates a new part (not previously existing).
46	783-0133	1	S	Shift Cover
48	726-0279	1		Insulator Plate
49	17951	1	S	Seat Pivot Brkt. Support - L.H.
50	17953	1		Hitch Plate
51	712-0267	1	S/F	Hex Nut 5/16-18 Thd.
52	736-0119	1	S/F	L-Wash. 5/16" I.D.
53	17239A	1	S	Seat Lift Brkt.
54	757-0370	1	S	Seat
55	17950	1	S	Seat Pivot Brkt. Support - R.H.
56	738-0296	1	S	Shld. Bolt .437" Dia. x .268"
57	725-1303	1	S	Spring Switch
59	710-0650	1	/P	Hex Wash. TT-Tap Scr. 5/16-18 x 7/8" Lg.
60	731-0405	1		Snap Bushing
63	725-1439	1		Safety Switch (Seat)
65	17952	1	S	Battery Tray

134R616G190 42" Lawn Tractor 4 Wheel Steer FST-15 (1994)
Upper Assembly

Ref #	Part Number	Qty	S/P/F	Description
66	710-0351	1	/P	Truss Mach. B-Tap Scr. #10 x .5" Lg.
67	748-0347	1	S	Spring Spacer



Ref #	Part Number	Qty	S/P/F	Description
4	712-0298	1	S/F	Hex Nut 5/16-24 Thd.
5	736-0119	1	S/F	L-Wash. 5/16" I.D.
11	683-0065	1	S	Lower Frame Ass'y. Code: N notates a new part (not previously existing).
13	712-0287	1	S/F	Hex Nut 1/4-20 Thd.
14	736-0329	1	S/F	L-Wash. 1/4" I.D.
15	710-0604	1	S	Hex Wash. TT-Tap Scr. 5/16-18 x .62" Lg.
16	17358D	1	S	Belt Guard Brkt. Ass'y. Code: N notates a new part (not previously existing).
17	736-0242	1	/P	Bell-Wash. .345" I.D. x .88"
18	712-0267	1	S/F	Hex Nut 5/16-18 Thd.
19	17418	1	S	Torque Bracket
20	714-0118	1	/P	Sq. Key 1/4" x 1/4" x 1.5"
21	756-0641	1		Engine Pulley Code: N notates a new part (not previously existing).
22	738-0785	1	S	Shld. Spacer .445" I.D.
23	736-0171	1	S/F	L-Wash. 7/16" I.D.
24	710-3157	1	S	Hex Bolt 7/16-20 x 3.25" Lg.
25	754-0280	1	S	Variable-Speed Belt
26	710-0118	1	S	Hex Bolt 5/16-18 x .75" Lg.
27	17963	1		Bearing Shaft Bracket Ass'y.
28	741-0591	1	S	Flanged Nyliner Brg. .63" I.D. x .6" Lg.
29	712-0241	1	/P/F	Hex Nut 3/8-24 Thd.
30	17834	1		Idler Bracket
31	736-0169	1	S/F	L-Wash. 3/8" I.D.
32	783-0232	1	S	U-Bracket
33	783-0233	1	S	Transaxle Support Brkt. Code: N notates a new part (not previously existing).
34	732-0556	1	S	Ext. Spring .94" O.D. x 7.58"
35	714-0149B	1	S	Inter. Cotter Pin
36	750-0802	1		Spacer .63" I.D.
37	714-0470	1	S	Cotter Pin 1/8" Dia. x 1.0" Lg.
38	710-0603	1	/P	Self-Tap Scr. 5/16-18 x .5" Lg.
39	736-0108	1	S	FL-Wash. .51" I.D. x .75"
43	710-0599	1	/P	Hex Wash. Hd. S-Tap Scr. 1/4-20 x .50" Lg.
44	17837	1		Clutch/Brake Pedal Ass'y.
45	720-0218	1	/P	Shift Knob
?46	710-0351	1	/P	Truss Mach. B-Tap Scr. #10 x .5" Lg.
47	17827A	1		Parking Brake Lockout Brkt. Ass'y. Code: N notates a new part (not previously existing).
48	735-0196	1	S	Foot Pad
49	717-0983	1	S	Electric Clutch
51	747-0774	1		Shift Lever Rod
53	732-0656	1		Ext. Spring 3.6"
54	711-0832	1	S	Ferrule
55	710-3056	1	F	Hex Bolt 5/16-18 x 3.25"
59	710-0195	1	S	Hex Bolt 1/4-28 x .62" Lg.
60	618-0034	1		Transaxle Complete
61	712-0291	1	S	Hex L-Nut 1/4-20 Thd.
62	711-0768	1	S	Belt Guard Pin 1/4-20 Thd.

134R616G190 42" Lawn Tractor 4 Wheel Steer FST-15 (1994)
Upper Frame & Drive Assembly

Page 26 of 27

Ref #	Part Number	Qty	S/P/F	Description
63	736-0275	1	S	FI-Wash. .34" I.D. x .68" O.D.
64	710-1026	1	/P	Hex Wash. TT-Tap Scr. 1/4-20 x 1.75"
65	732-0568	1	S	Ext. Spring 2.59" Lg.
66	732-0428A	1	S	Ext. Spring .5" O.D. x 4.35"
67	16554A	1	S	Variable Speed Torque Brkt. Ass'y.
68	741-0419	1		Flanged Bearing
69	714-0507	1	S/F	Cotter Pin 3/32" Dia.
70	748-0234	1	/P	Shoulder Spacer .27" Lg.
71	747-0530	1	S	Speed Control Link
72	741-0405	1	S	Truss Bearing .56 Dia. x 1.25"
73	720-0166	1	/P	Ball Knob
74	756-0437	1	S	FI-Idler Pulley 3.25" x .75"
75	756-0950	1		"V"-Pulley
76	736-0921	1	S/F	L-Wash. 1/2" I.D.
77	712-0922	1	/P/F	Hex Jam Nut 1/2-20 Thd.
78	710-0539	1	/P	Hex Bolt 3/8-24 x 1.75" Lg.
79	754-0370	1	S	Variable Speed Belt
80	716-0114	1	S	Snap Ring .56" Dia.
81	736-0355	1	/P	FI-Wash. .56" I.D. x 1.0" O.D.
82	717-0800	1	S	Variable Speed Pulley Ass'y. 5" O.D.
84	16354B	1	S	Variable Speed Brkt. Ass'y.
85	732-0525	1		Comp. Spring - Clip
86	17668	1	S	Axle Support Brkt. - R.H.
	17669	1	S	Axle Support Brkt. - L.H. Not shown
87	710-3008	1	/P	Hex Bolt 5/16-18 x .75" Lg. (Gr. 5)
89	17839	1	S	Speed Cont. Rod Brkt.
90	736-0414	1	S	Teflon Washer .565" I.D.
93	725-1657	1	S	Safety Switch (Clutch) Code: N notates a new part (not previously existing).
94	738-0755	1	S	Shld. Bolt 3/8-24 x 3.12" Lg.
97	736-0105	1	/P	Bell-Wash. .38" I.D. x .88"
98	738-0837	1		Shaft
99	736-0331	1	/P	Bell-Wash. .39" I.D. x 1.12"
100	736-0256	1	S	FI-Wash. .64" I.D. x .94"
101	714-0470	1	S	Cotter Pin 1/8" Dia. x 1.25" Lg.
102	710-0650	1	/P	Hex Wash. Hd. Scr. 5/16-18 x .62" Lg.
107	17860	1	S	Pedal Bracket
108	714-0507	1	S	Cotter Pin 3/32" Dia. x .75"
109	711-0198	1	S	Ferrule
111	710-0909A	1	/P	Hex Wash. Tap Scr.
112	736-0270	1	/P	Bell-Wash. .265" I.D. x .75"
113	17832	1		Shift Lever Link Ass'y.
115	736-0140	1	S	FI-Wash. .385" I.D. x .62"
116	741-0404	2 Req'd.	S	Needle Brgs.
118	710-1223	1	S	Hex Bolt 1/4-20 x 3.5" Lg.
119	710-0427	1	S	Hex Bolt 3/8-16 x 1.25" Lg.
120	756-0217	1	S	FI-Idler w/Flanges 2.75" O.D.
121	736-0280	1		FI-Wash. .39" I.D. x 1.12" O.D.
122	712-0798	1	/P	Hex Nut 3/8-16 Thd.
123	738-0155	1	S	Shld. Bolt .437" Dia. x .162"
124	17794	1		Brake Rod Ass'y.
?131	710-0429	1	S	Hex B-Tap Scr. #10 x .38" Lg.

134R616G190 42" Lawn Tractor 4 Wheel Steer FST-15 (1994)
Upper Frame & Drive Assembly

Page 27 of 27

Ref #	Part Number	Qty	S/P/F	Description
?134	726-0240	1	S	Cable Tie
138	747-0768	1		Shift Lever Ass'y.
139	17767	1	S	Shift Lever Support Brkt.
140	17768	1		Speed Selector Lever Ass'y.
141	711-0747	1	S	Belt Guard Pin
142	747-0608	1	S	Brake Lockout Rod
143	17840	1	S	Transaxle Mtg. Brkt.
144	714-0474	1	S	Cotter Pin 1/8" x 3/4" Lg.
145	747-0771	1		Speed Selector Rod
146	732-0429A	1	S	Ext. Spring 3.97" Lg.
147	750-0470	1		Spacer .326" I.D. x .47"
148	736-0167	1	S	FI-Wash. 5/8" I.D. x 1.25"
149	717-0772A	1	S	Actuating Arm
150	736-0300	1	S	FI-Wash. .385" I.D. x .87" O.D.
151	736-0413	1	/P	Wave Wash. .38" I.D. x .75"